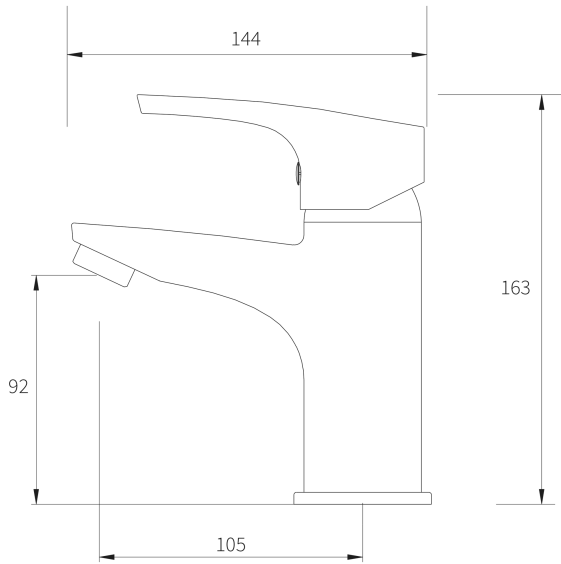


# EcoMix Basin Mixer



PRODUCT CODE

**VECM020**

COLOUR/FINISHES

Chrome

PRESSURE TYPE

All Pressures

MINIMUM PRESSURE

17kPa

WELS RATING - MAINS  
PRESSURE

4 Star (7L/min)

WELS RATING - LOW  
PRESSURE

1 Star (12.5L/min)

CARTRIDGE/HEADWORKS

HiFlo Cartridge

MAXIMUM TEMPERATURE

65°C

PLUMBING CONNECTION

15mm

SPOUT REACH

105mm

CERTIFICATION

WaterMark Certified

Voda Plumbingware products are in full compliance with the requirements as set out in the New Zealand Building Code:

[www.vodaplumbingware.co.nz/building-code-clauses/](http://www.vodaplumbingware.co.nz/building-code-clauses/)

This product is not subject to a warning or ban under section 26 of the Building Act 2004.

Specifications and dimensions correct at time of publication however are subject to change without notice.

Please refer to physical product prior to installation.

Installation instructions for this product are available from the product page on [vodaplumbingware.co.nz](http://vodaplumbingware.co.nz)