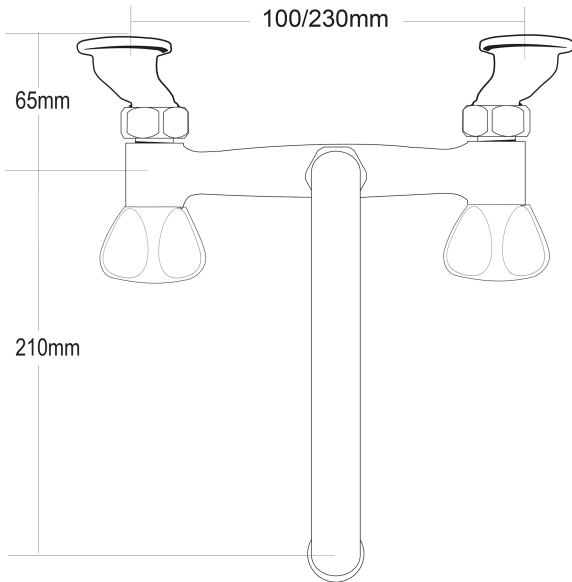


# Proline Sink Faucet



PRODUCT CODE	<b>VPLN130</b>
COLOUR/FINISHES	Chrome
FEATURES	Brass construction
HEADWORKS	Half Turn Standard
PRESSURE TYPE	All Pressures
MINIMUM PRESSURE	17kPa
MAXIMUM PRESSURE	500kPa (As per NZ Building Code AS/NZ 3500.1)
WELS RATING - MAINS PRESSURE	3 Star (9L/min)
WELS RATING - LOW PRESSURE	4 Star (7.5L/min)
CARTRIDGE/HEADWORKS	European Headworks
MAXIMUM TEMPERATURE	65°C
PLUMBING CONNECTION	15mm
SPOUT REACH	210mm
CERTIFICATION	WaterMark Certified



Voda Plumbingware products are in full compliance with the requirements as set out in the New Zealand Building Code:

[www.vodaplumbingware.co.nz/building-code-clauses/](http://www.vodaplumbingware.co.nz/building-code-clauses/)

This product is not subject to a warning or ban under section 26 of the Building Act 2004.

Specifications and dimensions correct at time of publication however are subject to change without notice.

Please refer to physical product prior to installation.

Installation instructions for this product are available from the product page on [vodaplumbingware.co.nz](http://vodaplumbingware.co.nz)