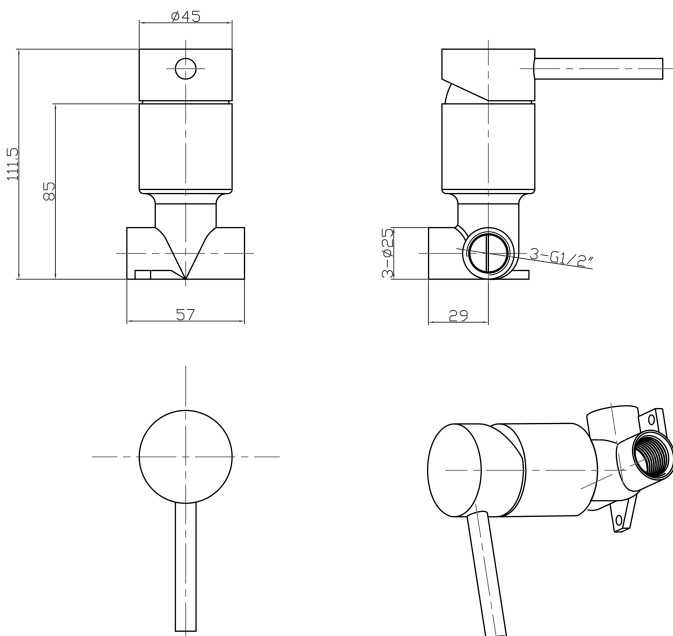


# Stainless Shower Mixer – Ultra



PRODUCT CODE	<b>VSS032</b>
COLOUR/FINISHES	Brushed Stainless (304)
FEATURES	304 Stainless Steel Mixer Body
FACEPLATE DIAMETER	75mm
PRESSURE TYPE	Mains Pressure only
MINIMUM PRESSURE	150kPa
MAXIMUM PRESSURE	500kPa (As per NZ Building Code AS/NZ 3500.1)
CARTRIDGE/HEADWORKS	35mm European Ceramic Cartridge
MAXIMUM TEMPERATURE	65°C
PLUMBING CONNECTION	15mm



Voda Plumbingware products are in full compliance with the requirements as set out in the New Zealand Building Code:

[www.vodaplumbingware.co.nz/building-code-clauses/](http://www.vodaplumbingware.co.nz/building-code-clauses/)

This product is not subject to a warning or ban under section 26 of the Building Act 2004.

Specifications and dimensions correct at time of publication however are subject to change without notice.

Please refer to physical product prior to installation.

Installation instructions for this product are available from the product page on [vodaplumbingware.co.nz](http://vodaplumbingware.co.nz)