

Deluxe High Rise Shower Rose



PRODUCT CODE

VMS81RWCH

COLOUR/FINISHES

Chrome/Grey

FEATURES

Adjustable head

PRESSURE TYPE

All Pressures

WELS RATING - MAINS
PRESSURE

3 Star (8L/min)

WELS RATING - LOW
PRESSURE

3 Star (7.5L/min)

MINIMUM PRESSURE

35kPa

MAXIMUM PRESSURE

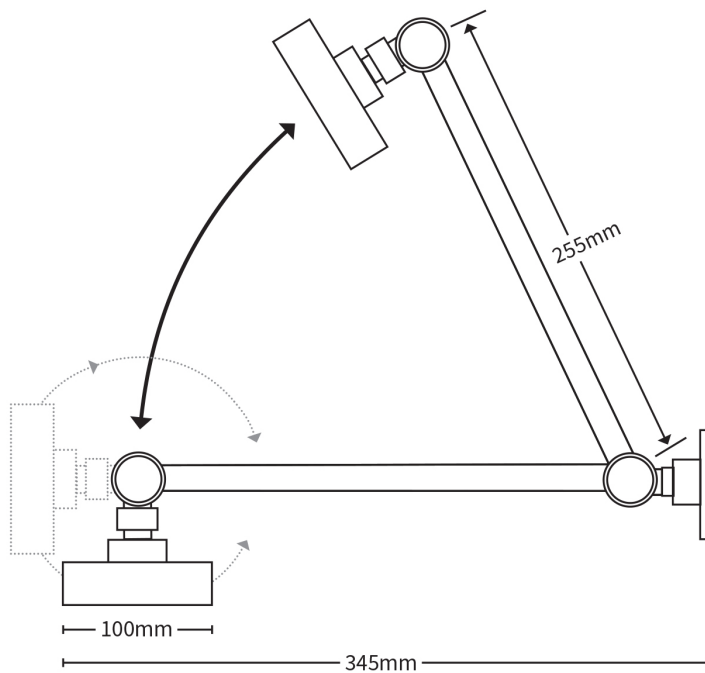
500kPa (As per NZ Building Code AS/NZ 3500.1)

MAXIMUM TEMPERATURE

65°C

PLUMBING CONNECTION

15mm



Voda Plumbingware products are in full compliance with the requirements as set out in the New Zealand Building Code:

www.vodaplumbingware.co.nz/building-code-clauses/

This product is not subject to a warning or ban under section 26 of the Building Act 2004.

Specifications and dimensions correct at time of publication however are subject to change without notice.

Please refer to physical product prior to installation.

Installation instructions for this product are available from the product page on vodaplumbingware.co.nz