

# Storm High Rise Basin Mixer



PRODUCT CODE

**VST22CH**

COLOUR/FINISHES

**Chrome**

Brushed Black (PVD)  
Brushed Gunmetal (PVD)  
Brushed Copper (PVD)  
Brushed Stainless (304)  
Brushed Brass (PVD)

PRESSURE TYPE

All Pressures

MINIMUM PRESSURE

35kPa

MAXIMUM PRESSURE

500kPa (As per NZ Building Code AS/NZ 3500.1)

WELS RATING - MAINS

4 Star (6L/min)

PRESSURE

WELS RATING - LOW

4 Star (6.0L/min)

PRESSURE

MAXIMUM TEMPERATURE

65°C

PLUMBING CONNECTION

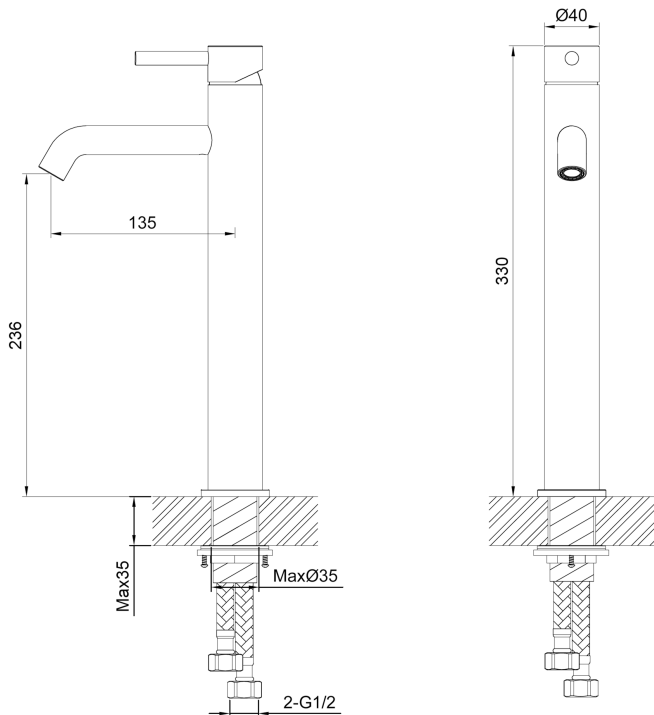
15mm

SPOUT REACH

135mm

SPOUT HEIGHT

236mm



Voda Plumbingware products are in full compliance with the requirements as set out in the New Zealand Building Code:

[www.vodaplumbingware.co.nz/building-code-clauses/](http://www.vodaplumbingware.co.nz/building-code-clauses/)

This product is not subject to a warning or ban under section 26 of the Building Act 2004.

Specifications and dimensions correct at time of publication however are subject to change without notice.

Please refer to physical product prior to installation.

Installation instructions for this product are available from the product page on [vodaplumbingware.co.nz](http://vodaplumbingware.co.nz)