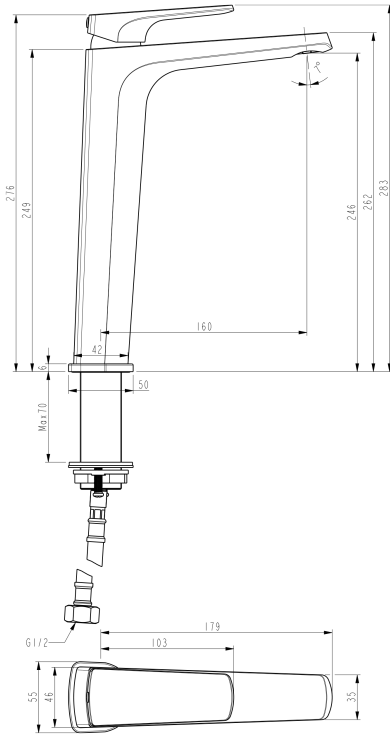


Tide High Rise Basin Mixer



PRODUCT CODE

VTD22

COLOUR/FINISHES

Chrome
Brushed Gunmetal (PVD)
Matte Black
Brushed Nickel (PVD)
Brushed Brass (PVD)

FEATURES

DR Brass Mixer Body

PRESSURE TYPE

All Pressures

MINIMUM PRESSURE

35kPa

MAXIMUM PRESSURE

500kPa (As per NZ Building Code AS/NZ 3500.1)

WELS RATING - MAINS PRESSURE

4 Star (6.5L/min)

WELS RATING - LOW PRESSURE

3 Star (7.5L/min)

MAXIMUM TEMPERATURE

65°C

PLUMBING CONNECTION

15mm

SPOUT REACH

160mm

CERTIFICATION

WaterMark Certified

Voda Plumbingware products are in full compliance with the requirements as set out in the New Zealand Building Code:

www.vodaplumbingware.co.nz/building-code-clauses/

This product is not subject to a warning or ban under section 26 of the Building Act 2004.

Specifications and dimensions correct at time of publication however are subject to change without notice.

Please refer to physical product prior to installation.

Installation instructions for this product are available from the product page on vodaplumbingware.co.nz