

VODA Floor Mount Bath Filler, Mixer & Handshower Chrome **VBS052**

Congratulations on your purchase of this high quality product from Voda Plumbingware.
Please read the following before installation and retain (along with your receipt) for future reference.

TECHNICAL SPECIFICATIONS

Suitable for All Pressures

Minimum Pressure = 150kPa

Maximum operating Pressure = 500kPa* (As per NZ Building Code AS/NZ 3500.1)

Maximum operating Temperature = 65 deg. Celsius

For domestic use only.

CONFIGURATION

Mains Pressure systems Install as supplied.

Unequal Low systems Not suitable.

Equal Low systems Not suitable.

INSTALLATION

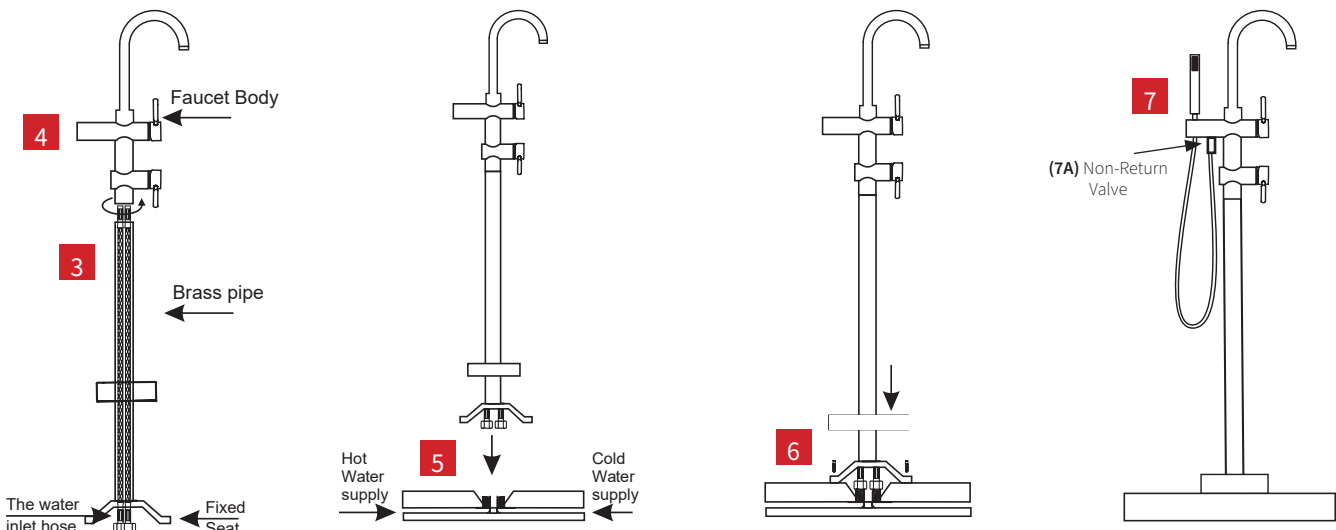
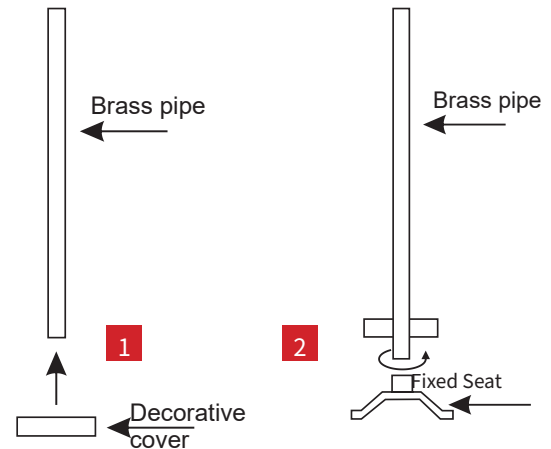
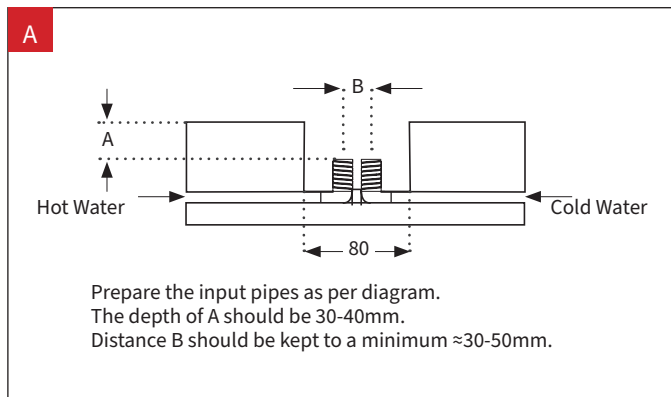
***FOR PRESSURES EXCEEDING 500kPa INSTALL A PRESSURE REDUCING VALVE. THOROUGHLY FLUSH ALL PIPES TO ELIMINATE ANY REMAINING DIRT AND RESIDUE, AND INSTALL INLINE FILTERS. FAILURE TO DO SO MAY VOID THE WARRANTY.**

SEE INSTALLATION DIAGRAM OVER PAGE.

- Turn off the water supply before commencing installation.
- **Prepare the inlet pipes as per diagram A.**
- Slide the decorative cover over the brass pipe (1), then screw the pipe onto the fixed seat (2).
- Install the flexible hoses and ensure they are hand tightened into place. Do not use a spanner to tighten as it can damage the o-ring. The flexible hoses are to be fitted into the correct inlets for hot water and for cold water (3).
- Fix the faucet body to the brass pipe (4).
- Connect the other side of the flexible hoses to the water supply pipes. Make sure they are fitted into the correct outlets for hot water and cold water (5).
- Use the screws to fix the seat on the ground and put the decorative cover over the base (6).
- Connect the shower hose and hand shower (7).

ATTACH PROOF OF PURCHASE HERE

- Ensure the green Non-Return valve is inserted within the connection between the handshower hose and faucet body (7A). If flow isn't as expected check non return valve is installed in correct direction allowing full water flow.
- Turn on water supply.
- Check for leaks.



WARRANTY

PLEASE CALL US BEFORE REMOVING TAPWARE OR UNDERTAKING ANY REPAIR WORK.

Please refer to our website for warranty information: www.vodaplumbingware.co.nz/warranty

In the unlikely event that this product fails during its warranty period, phone our Customer Service team immediately on 0508 367 366 – as unauthorised removal of the product may void the warranty.

CARE AND MAINTENANCE

SHOULD NOT BE CLEANED WITH ACIDIC, CAUSTIC/ALKALINE, ABRASIVE OR CITRIC CLEANERS.

A soft, damp cloth is recommended for cleaning (Not a Micro fibre cloth). Mild soap solutions can also be used on occasion.