

VODA

Floor Mounted Bath Mixer

Chrome **VBS053**

Congratulations on your purchase of this high quality product from Voda Plumbingware.
Please read the following before installation and retain (along with your receipt) for future reference.

TECHNICAL SPECIFICATIONS

Suitable for Mains Pressures only

Minimum Pressure = 150kPa

Maximum operating Pressure = 500kPa* (As per NZ Building Code AS/NZ 3500.1)

Maximum operating Temperature = 65 deg. Celsius

For domestic use only.

CONFIGURATION

Mains Pressure systems Install as supplied.

Unequal Low Systems Not suitable.

Equal Low systems Not suitable.

INSTALLATION

***FOR PRESSURES EXCEEDING 500kPa INSTALL A PRESSURE REDUCING VALVE. THOROUGHLY FLUSH ALL PIPES TO ELIMINATE ANY REMAINING DIRT AND RESIDUE, AND INSTALL INLINE FILTERS. FAILURE TO DO SO MAY VOID THE WARRANTY.**

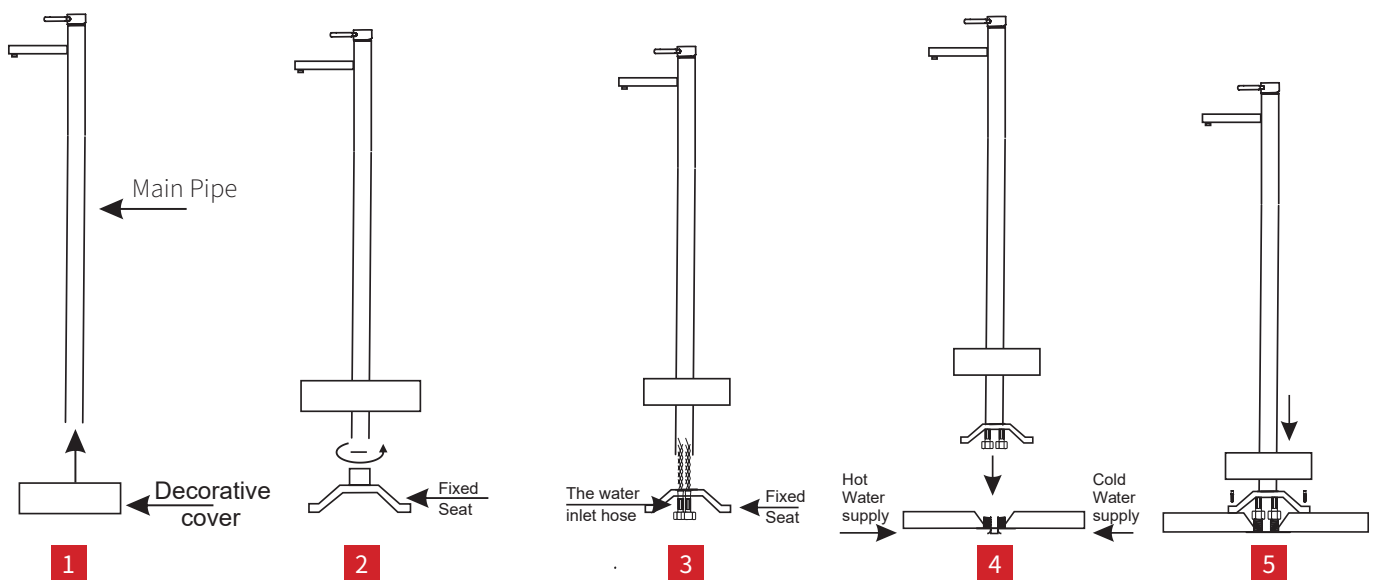
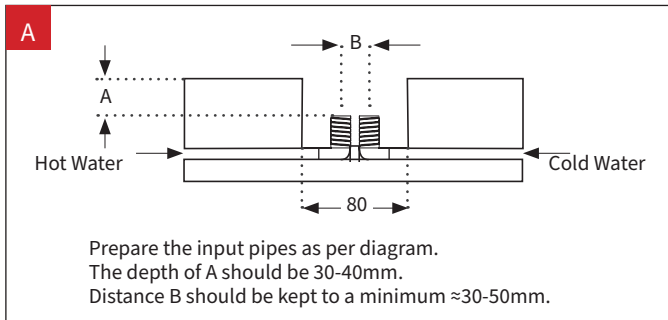
See Installation Diagram over page.

Prepare the inlet pipes as per diagram A.

1. Slide the decorative cover over the Main pipe.
2. Screw the fixed seat onto the main pipe.
3. Install the flexible hoses and ensure the flexible hoses are hand tightened (DO NOT USE A SPANNER TO TIGHTEN as overtightening can damage the O-rings). The flexible hoses are to be fitted into the correct inlets for hot and cold water.

- Connect the other end of the flexible hose to the water supply pipe. Make sure they are fitted into the correct outlets for hot water and cold water.
- Use the screws to fix the seat onto the floor, and then push the decorative cover down over the base.

ATTACH PROOF OF PURCHASE HERE



WARRANTY

PLEASE CALL US BEFORE REMOVING TAPWARE OR UNDERTAKING ANY REPAIR WORK.

Please refer to our website for warranty information: www.vodaplumbingware.co.nz/warranty

In the unlikely event that this product fails during its warranty period, phone our Customer Service team immediately on 0508 367 366 – as unauthorised removal of the product may void the warranty.

CARE AND MAINTENANCE

SHOULD NOT BE CLEANED WITH ACIDIC, CAUSTIC/ALKALINE, ABRASIVE OR CITRIC CLEANERS.

A soft, damp cloth is recommended for cleaning (Not a Micro fibre cloth). Mild soap solutions can also be used on occasion.

PROUD PARTNER AND SUPPORTER OF MASTER PLUMBERS, GASFITTERS AND DRAINLAYERS

