

ECOMIX Wall Mounted Bath Spout Chrome **VBS055**



Congratulations on your purchase of this high quality product from Voda Plumbingware.
Please read the following before installation and retain (along with your receipt) for future reference.

TECHNICAL SPECIFICATIONS

Suitable for All Pressures

Minimum Pressure = 35kPa

Maximum operating Pressure = 500kPa* (As per NZ Building Code AS/NZ 3500.1)

Maximum operating Temperature = 65 deg. Celsius

For domestic use only.

CONFIGURATION

Mains Pressure systems Install as supplied.

Unequal Low systems Install as supplied.

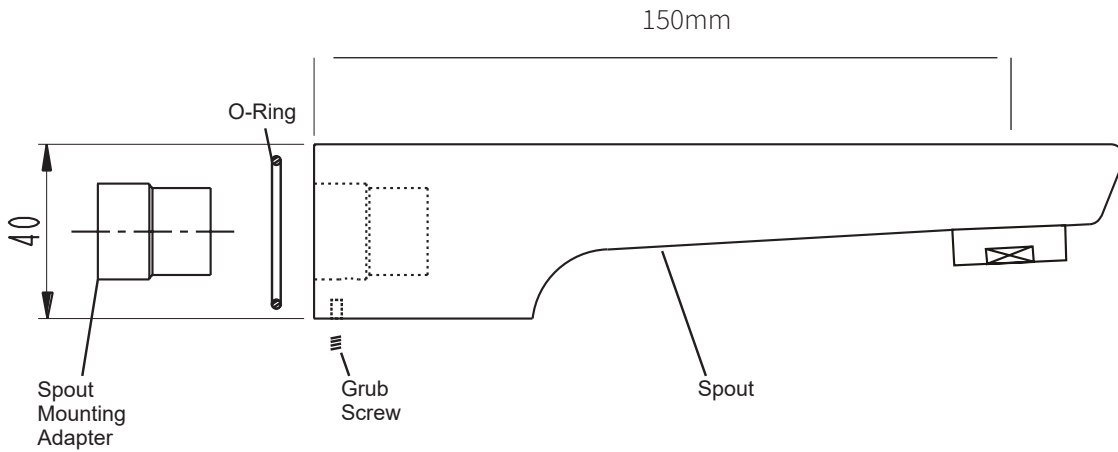
Equal Low systems Install as supplied.

INSTALLATION

***FOR PRESSURES EXCEEDING 500kPa INSTALL A PRESSURE REDUCING VALVE. THOROUGHLY FLUSH ALL PIPES TO ELIMINATE ANY REMAINING DIRT AND RESIDUE, AND INSTALL INLINE FILTERS. FAILURE TO DO SO MAY VOID THE WARRANTY. TO BE INSTALLED AS PER THE REQUIREMENTS WITH AS/NZS 3500.**

- Before commencing installation, turn off the water supply.
- Remove the brass mounting adaptor from the spout by un-screwing the grub screw underneath the spout. (see diagram on next page for more detail)
- Install the adaptor onto the wall spigot, and tighten.
- Fit the spout onto the adaptor and tighten the grub screw back on.
- Turn on the water supply.
- Check for leaks.

ATTACH PROOF OF PURCHASE HERE



WARRANTY

PLEASE CALL US BEFORE REMOVING TAPWARE OR UNDERTAKING ANY REPAIR WORK.

Please refer to our website for warranty information: www.vodaplumbingware.co.nz/warranty

In the unlikely event that this product fails during its warranty period, phone our Customer Service team immediately on 0508 367 366 – as unauthorised removal of the product may void the warranty.

CARE AND MAINTENANCE

SHOULD NOT BE CLEANED WITH ACIDIC, CAUSTIC/ALKALINE, ABRASIVE OR CITRIC CLEANERS.

A soft, damp cloth is recommended for cleaning (Not a Micro fibre cloth). Mild soap solutions can also be used on occasion.

See website for full care instructions: www.vodaplumbingware.co.nz/tapware-care-instructions/

PROUD PARTNER AND SUPPORTER OF MASTER PLUMBERS, GASFITTERS AND DRAINLAYERS

