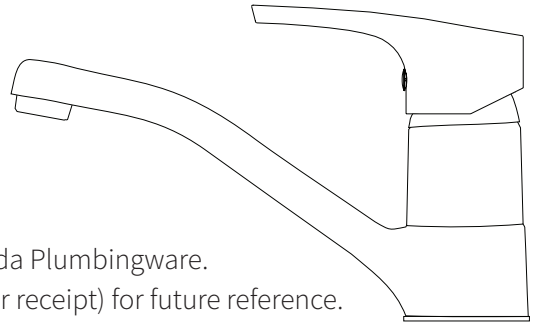


## ECOMIX Swivel Spout Basin Mixer VECM23LFCH



Congratulations on your purchase of this high quality product from Voda Plumbingware.  
Please read the following before installation and retain (along with your receipt) for future reference.

### TECHNICAL SPECIFICATIONS

#### Suitable for All Pressures

Minimum Pressure = 17kPa

Maximum operating Pressure = 500kPa\* (As per NZ Building Code AS/NZ 3500.1)

Maximum operating Temperature = 65 deg. Celsius

For domestic use only.

### CONFIGURATION

Mains Pressure systems Remove the valve insert from the valve nipple and change aerator to the WELs rated one supplied.

Unequal Low Systems Ensure the valve nipple is attached to the cold in-feed hose (flow arrow aligned to the water flow).

Equal Low systems Remove the valve insert from the valve nipple (minimum of 35kPa required).

**\*Note: any flow controller incorporated in the outlet to be tightened to prevent removal by hand.**

### INSTALLATION

**\*FOR PRESSURES EXCEEDING 500kPa INSTALL A PRESSURE REDUCING VALVE. THOROUGHLY FLUSH ALL PIPES TO ELIMINATE ANY REMAINING DIRT AND RESIDUE, AND INSTALL INLINE FILTERS. FAILURE TO DO SO MAY VOID THE WARRANTY. TO BE INSTALLED AS PER THE REQUIREMENTS WITH AS/NZS 3500.**

- Position tap in 35mm hole, making sure the seal between tap and supporting surface is in place.
- Anchor to bench with fittings pack.
- Where applicable, it is important to ensure the base ring is hand-tight on the mixer, prior to installation.
- Thoroughly flush all pipes to eliminate any remaining dirt and residue and install inline filters.
- Connect supply hoses to plumbing connections. **NB: Maximum bend for flexible hose is 35mm radius. Do not stretch, crush or twist hoses. Do not swage hose ends.**
- Turn on mains supply. Check for leaks.

**Plumbers Note: Do not pressure test this mixer under static pressure.**

ATTACH PROOF OF PURCHASE HERE

#### WARRANTY

#### **PLEASE CALL US BEFORE REMOVING OR UNDERTAKING ANY REPAIR WORK.**

Please refer to our website for warranty information: [www.vodaplumbingware.co.nz/warranty](http://www.vodaplumbingware.co.nz/warranty)

In the unlikely event that this product fails during its warranty period, phone our Customer Service team immediately on 0508 367 366 – as unauthorised removal of the product may void the warranty.

#### CARE AND MAINTENANCE

#### **SHOULD NOT BE CLEANED WITH ACIDIC, CAUSTIC/ALKALINE, ABRASIVE OR CITRIC CLEANERS.**

A soft, damp cloth is recommended for cleaning (Not a Micro fibre cloth). Mild soap solutions can also be used on occasion.

See website for full care instructions: [www.vodaplumbingware.co.nz/tapware-care-instructions/](http://www.vodaplumbingware.co.nz/tapware-care-instructions/)

PROUD PARTNER AND SUPPORTER OF MASTER PLUMBERS, GASFITTERS AND DRAINLAYERS

