

OLYMPIA

Double Head Shower (Round)

VOP73R

Congratulations on your purchase of this high quality product from Voda Plumbingware.
Please read the following before installation and retain (along with your receipt) for future reference.

TECHNICAL SPECIFICATIONS

Suitable for Mains Pressure only

Minimum Pressure = 150kPa

Maximum operating Pressure = 500kPa* (As per NZ Building Code AS/NZ 3500.1)

Maximum operating Temperature = 65 deg. Celsius

BOTTOM INLET PLUMBING CONNECTION

For domestic use only.

CONFIGURATION

Mains Pressure systems Install as supplied.

Unequal Low systems This product is not suitable for this type of water pressure.

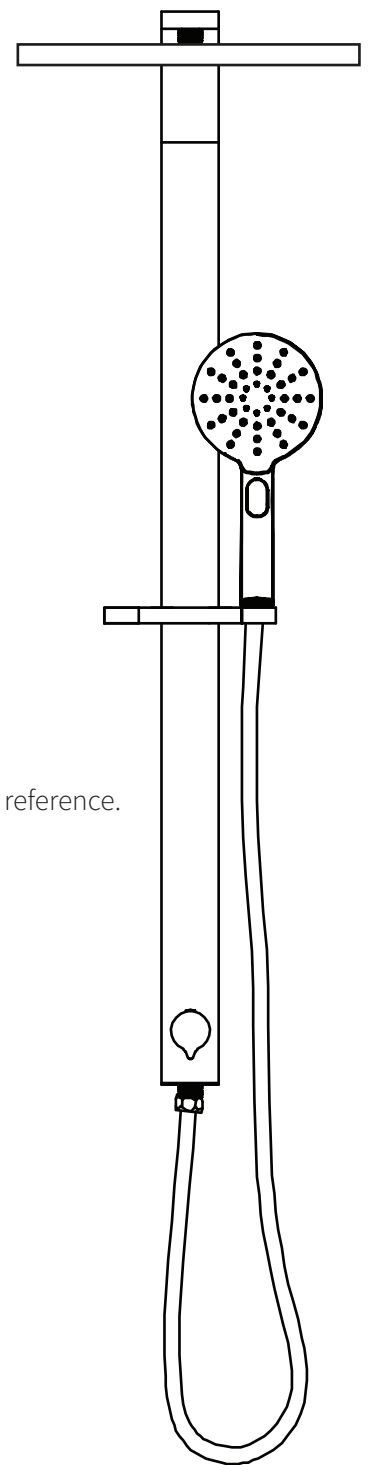
Equal Low systems This product is not suitable for this type of water pressure.

CONTENTS

- Shower rail (glide bar) with adjuster/handpiece holder
- 1.5m shower hose with flow restrictor disc fitted
- Shower rose
- Shower handpiece
- Wall fixing kit

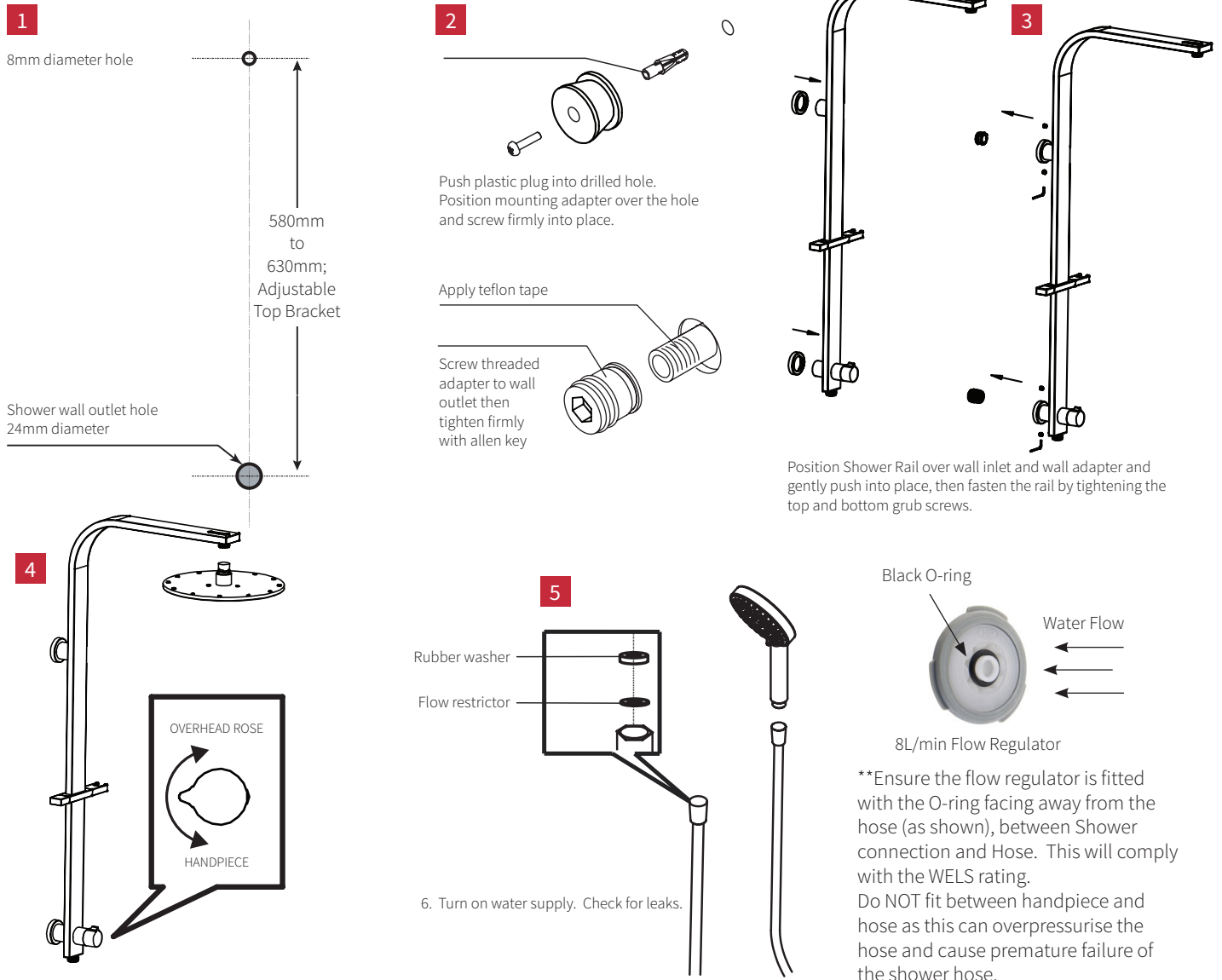
INSTALLATION

***FOR PRESSURES EXCEEDING 500kPa INSTALL A PRESSURE REDUCING VALVE. THOROUGHLY FLUSH ALL PIPES TO ELIMINATE ANY REMAINING DIRT AND RESIDUE, AND INSTALL INLINE FILTERS. FAILURE TO DO SO MAY VOID THE WARRANTY.**



ATTACH PROOF OF PURCHASE HERE

Note: This shower has a WELS certified flow regulator fitted to the handpiece (see diagram 5). If you want a greater flow, remove this disc but note that this will not give a WELS 3-star water rating anymore.



WARRANTY

PLEASE CALL US BEFORE REMOVING SLIDE SHOWER OR UNDERTAKING ANY REPAIR WORK.

Please refer to our website for warranty information: www.vodaplumbingware.co.nz/warranty

In the unlikely event that this product fails during its warranty period, phone our Customer Service team immediately on 0508 367 366 – as unauthorised removal of the product may void the warranty.

CARE AND MAINTENANCE

SHOULD NOT BE CLEANED WITH ACIDIC, CAUSTIC/ALKALINE, ABRASIVE OR CITRIC CLEANERS.

A soft, damp cloth is recommended for cleaning (Not a Micro fibre cloth). Mild soap solutions can also be used on occasion.