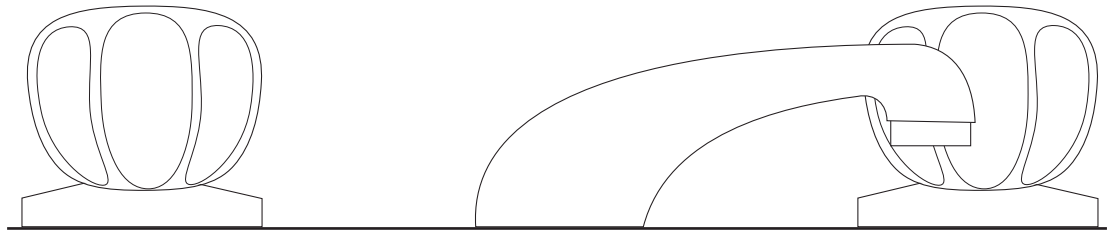


Proline Basin Faucet VPLN450



Congratulations on your purchase of this high quality product from Voda Plumbingware.
Please read the following before installation and retain (along with your receipt) for future reference.

TECHNICAL SPECIFICATIONS

Suitable for All Pressures

Minimum Pressure = 17kPa

Maximum operating Pressure = 500kPa

Maximum operating Temperature = 65 deg. Celsius

For domestic use only.

CONFIGURATION

Mains Pressure systems Change aerator to mains pressure one supplied.

Unequal Low systems Install as supplied.

Equal Low systems Install as supplied.

INSTALLATION

For pressures exceeding 500kPa, install a pressure reducing valve. Failure to do so will void the warranty.

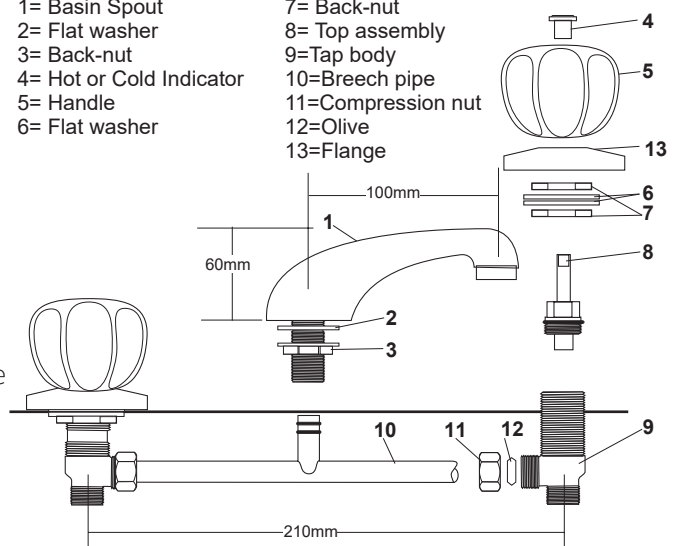
NOTE: In order to remove handles, the chrome disc needs to be prized out and handle retaining screw undone.

- Before commencing installation, turn off the water supply.
- 30mm holes are required for each tap body and 24mm hole for the spout spigot. The tap bodies may be spaced at between 150mm & 200mm hole centres. NB: The vanity top thickness must not exceed 38mm.
- Once the holes are drilled, wind the back-nuts (item 7 above) back on the tap bodies to allow for a minimum 4 thread protrusion above the vanity top.
- Cut the breach pipe (item 10) to the correct size.
- Fit the centre spout, with flat washer (item 2) on the top, flanged back-nut (item 3) underneath. Tighten.
- Fit the breach pipe to the tap bodies and push the centre spigot into the spout tail and the tap bodies into the drilled holes.
- Place the mounting washers and flanges on the tap bodies; tighten down.

Key Components

- 1= Basin Spout
- 2= Flat washer
- 3= Back-nut
- 4= Hot or Cold Indicator
- 5= Handle
- 6= Flat washer

- 7= Back-nut
- 8= Top assembly
- 9= Tap body
- 10=Breach pipe
- 11=Compression nut
- 12=Olive
- 13=Flange



ATTACH PROOF OF PURCHASE HERE

- Tighten compression nut and olive (items 11 & 12) on either end of the breech pipe.
- Place handles on and screw on Indicator nuts (item 4)
- Turn on the water supply.
- Check for leaks.

WARRANTY

Please refer to our website for warranty information: www.vodaplumbingware.co.nz/warranty

In the unlikely event that this product fails during its warranty period, phone our Customer Service team immediately on 0508 367 366 – as unauthorised removal of the product may void the warranty.

CARE AND MAINTENANCE

When cleaning your Voda product (including chrome, stainless steel, coloured or any other surface coating) you must not use any type of astringent, abrasive or citric cleaners.

We recommend using only a soft, damp cloth and on occasion a mild soap solution. Try to avoid excessive scrubbing as this could cause damage and void your warranty.