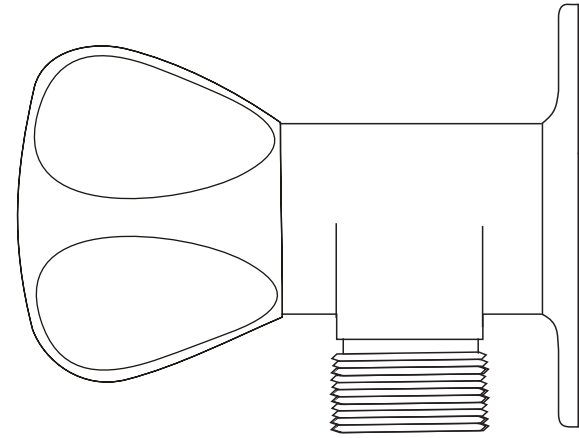


Proline Washing Machine Taps

VPLNWM3



9 421027 594968



Congratulations on your purchase of this high quality product from Voda Plumbingware.
Please read the following before installation and retain (along with your receipt) for future reference.

TECHNICAL SPECIFICATIONS

Suitable for All Pressures

Minimum Pressure = 17kPa

Maximum operating Pressure = 500kPa

Maximum operating Temperature = 65 deg. Celsius

For domestic use only.

NB: Inlet connection is 1/2" (15mm), outlet connection is 3/4" (20mm)

CONFIGURATION

Mains Pressure systems Install as supplied.

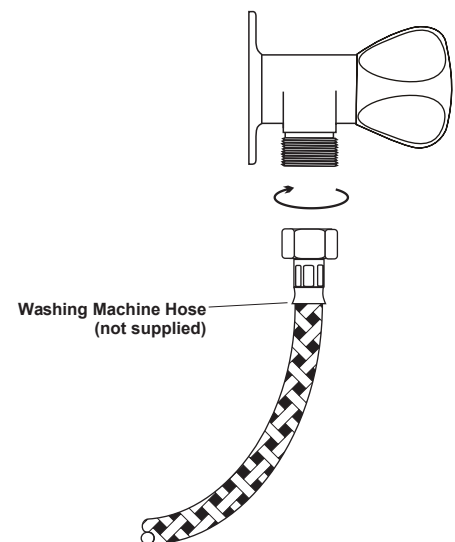
Unequal Low systems Install as supplied.

Equal Low systems Install as supplied.

INSTALLATION

For pressures exceeding 500kPa, install a pressure reducing valve. Failure to do so will void the warranty.

- Before commencing installation, turn off the water supply.
- Cut 15mm screwed tube to allow for a minimum 15mm wall protrusion and install. NB: It is essential to apply either Teflon sealing tape or graphite & hemp around the screwed tube prior to installation
- Turn on the water supply.
- Check for leaks.



ATTACH PROOF OF PURCHASE HERE

WARRANTY

Please refer to our website for warranty information: www.vodaplumbingware.co.nz/warranty

In the unlikely event that this product fails during its warranty period, phone our Customer Service team immediately on 0508 367 366 – as unauthorised removal of the product may void the warranty.

CARE AND MAINTENANCE

When cleaning your Voda product (including chrome, stainless steel, coloured or any other surface coating) you must not use any type of astringent, abrasive or citric cleaners.

We recommend using only a soft, damp cloth and on occasion a mild soap solution. Try to avoid excessive scrubbing as this could cause damage and void your warranty.