

VODA Pulldown Sink Mixer **VSS13**

Congratulations on your purchase of this high quality product from Voda Plumbingware. Please read the following before installation and retain (along with your receipt) for future reference.

TECHNICAL SPECIFICATIONS

Suitable for Mains Pressure only

Minimum Pressure = 150kPa

Maximum operating Pressure = 500kPa* (As per NZ Building Code AS/NZ 3500.1)

Maximum operating Temperature = 65 deg. Celsius

For domestic use only.

CONFIGURATION

Mains Pressure systems Install as supplied.

Unequal Low systems This product is not suitable for this type of water pressure.

Equal Low systems This product is not suitable for this type of water pressure.

INSTALLATION

***FOR PRESSURES EXCEEDING 500kPa INSTALL A PRESSURE REDUCING VALVE. THOROUGHLY FLUSH ALL PIPES TO ELIMINATE ANY REMAINING DIRT AND RESIDUE, AND INSTALL INLINE FILTERS. FAILURE TO DO SO MAY VOID THE WARRANTY.**

- **SEE DIAGRAM ON FOLLOWING PAGE**
- Position tap in **35mm** hole, making sure the O-ring (1) between mixer and bench is fitted within base-ring.
- Anchor to bench with underbench C-Clamp (4). The flat rubber gaskets (2) should be against bench, followed by metal flat washer (3), then C-Clamp. Screws on the C-Clamp can be tightened to firmly affix mixer to bench.
- Thoroughly flush all water pipes to eliminate any remaining dirt and residue and install inline filters.
- Attach Hot & Cold Flexihoses to mixer inlets (6) & (7) and then attach to wall connections. **Maximum bend for flexible hose is 35mm radius. Do not stretch, crush or twist hoses. Do not swage hose ends. Do not overtighten flexihose nuts.**
- Push the Pull-down hose connection (11) into Fast-fit Connection (10), ensuring an audible click is heard.
- Ensure handpiece is fully retracted into spout, then attach underbench hose weight (9) to pull-down hose (8), at least 50mm above bottom of looped hose.

ATTACH PROOF OF PURCHASE HERE

- **Check that there are no obstructions to the hose or weight when pulling handpiece in and out and that the hose is not twisted.** The hose should not be wrapping around the flexihoses or other underbench hoses or pipework.
- Turn on mains supply.
- Check for leaks, and for correct operation of multifunction handpiece and mixer.

Plumbers Note: Do not pressure test this mixer under static pressure.

WARRANTY

PLEASE CALL US BEFORE REMOVING TAPWARE OR UNDERTAKING ANY REPAIR WORK.

Please refer to our website for warranty information:
www.vodaplumbingware.co.nz/warranty

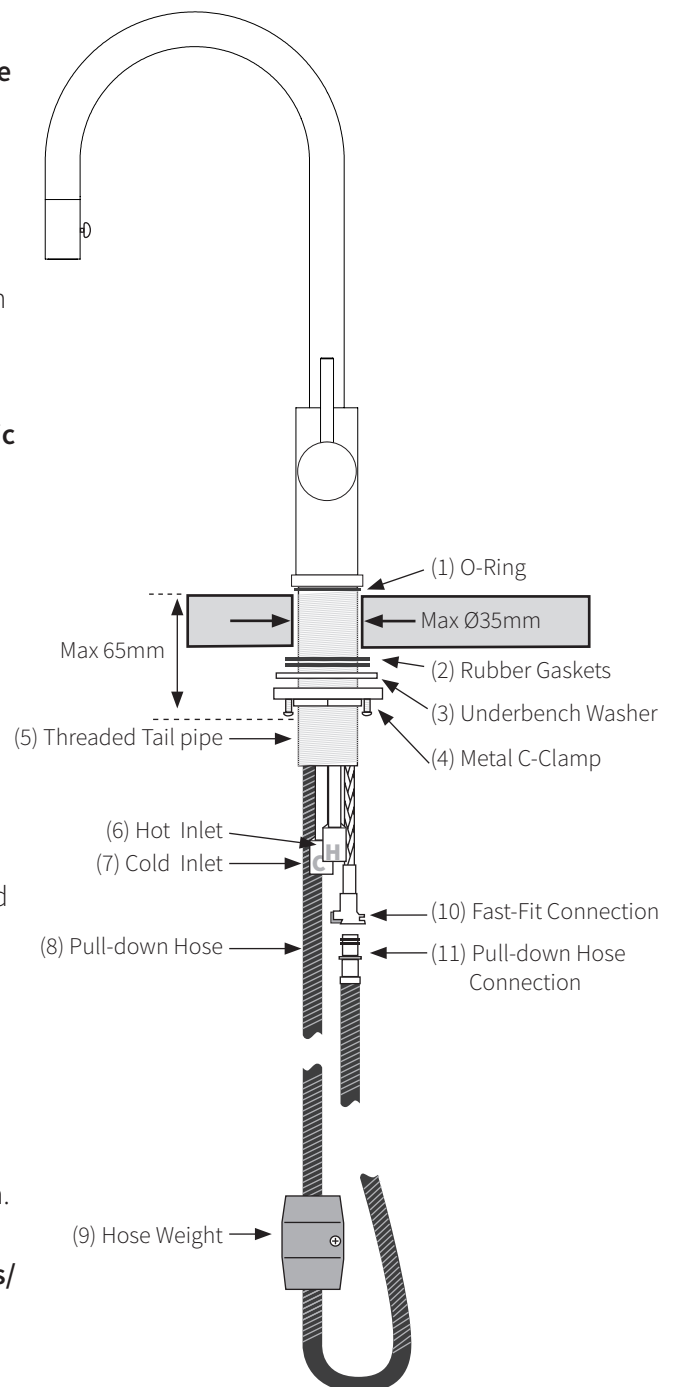
In the unlikely event that this product fails during its warranty period, phone our Customer Service team immediately on 0508 367 366 – Unauthorised removal of the product may void the warranty.

CARE AND MAINTENANCE

SHOULD NOT BE CLEANED WITH ACIDIC, CAUSTIC/ALKALINE, ABRASIVE OR CITRIC CLEANERS.

A soft, damp cloth is recommended for cleaning (Not a micro fibre cloth). Mild soap solutions can also be used on occasion. See website for full care instructions:

www.vodaplumbingware.co.nz/tapware-care-instructions/



PROUD PARTNER AND SUPPORTER OF MASTER PLUMBERS, GASFITTERS AND DRAINLAYERS

