

STORM Diverter Shower Mixer VST35

Congratulations on your purchase of this high quality product from Voda Plumbingware. Please read the following before installation and retain (along with your receipt).

TECHNICAL SPECIFICATIONS

Suitable for Mains Pressure only

Minimum Pressure = 150kPa

Maximum operating Pressure = 500kPa*

(As per NZ Building Code AS/NZ 3500.1)

Maximum operating Temperature = 65 deg. Celsius

For domestic use only.

CONFIGURATION

Mains Pressure systems Install as supplied.

Unequal Low systems Not Suitable.

Equal Low systems Not Suitable.

INSTALLATION

SEE INSTALLATION TEMPLATE OVERLEAF.

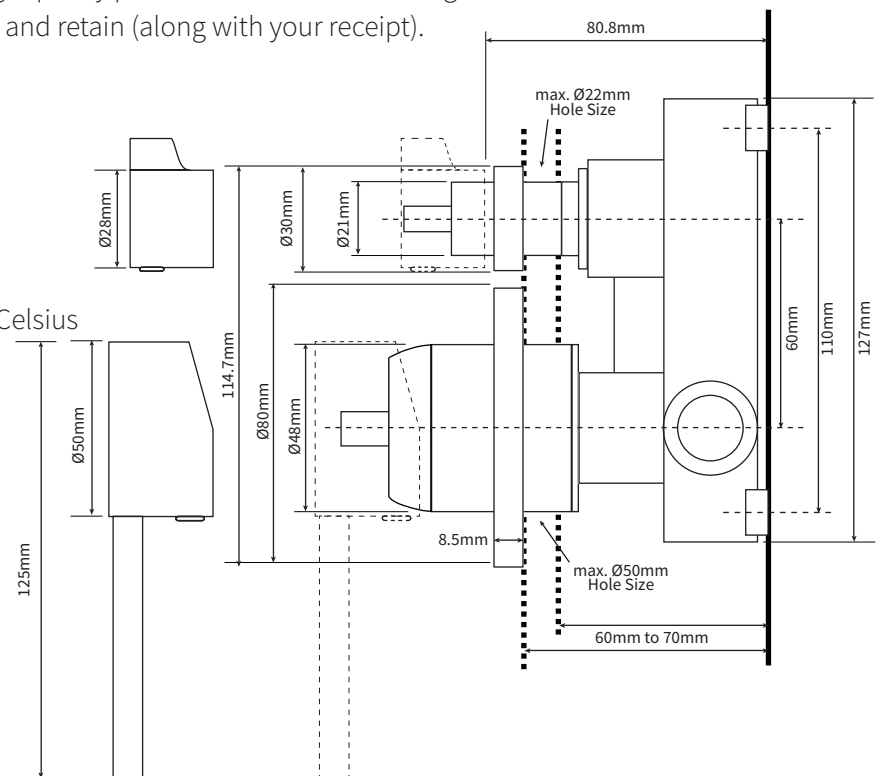
***FOR PRESSURES EXCEEDING 500kPa INSTALL A PRESSURE REDUCING VALVE. THOROUGHLY FLUSH ALL PIPES TO ELIMINATE ANY REMAINING DIRT AND RESIDUE, AND INSTALL INLINE FILTERS. FAILURE TO DO SO MAY VOID THE WARRANTY.**

Installation must comply with Section 5.4 of AS/NZS 3500 Standard with regard to Isolating stop cock use. Shower mixers must be water tested with the outlet open, to prevent damage to cartridge seals; due to back pressure.

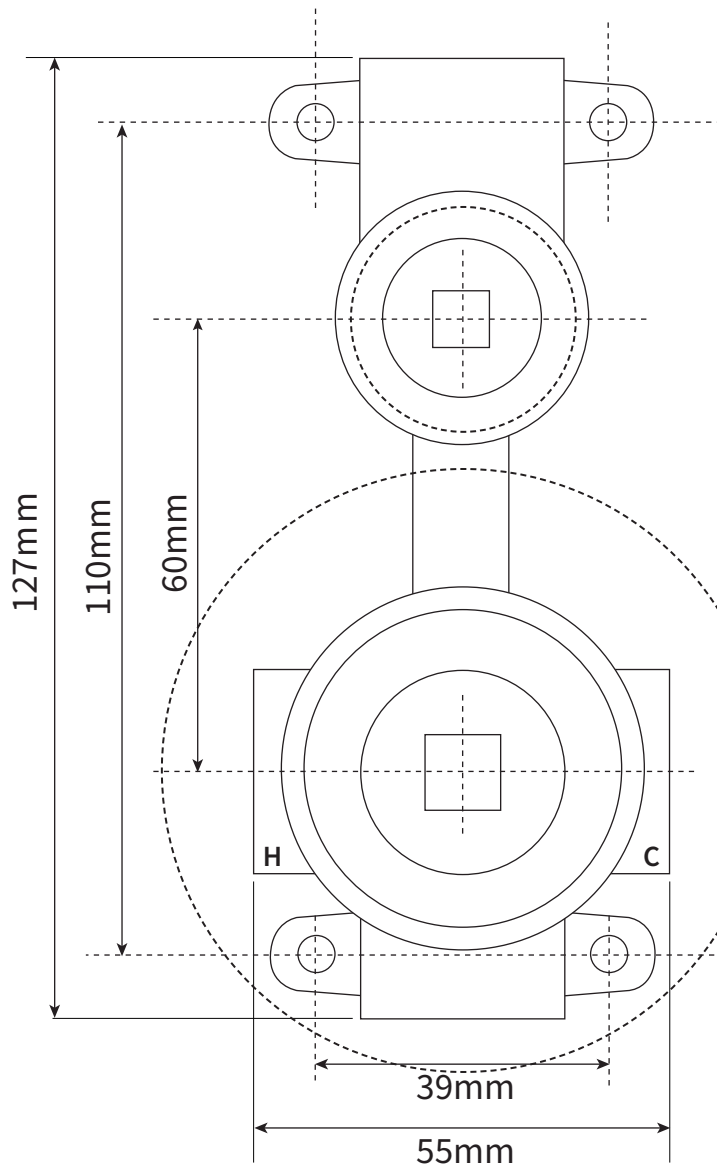
IMPORTANT - Note the diameters of the TWO faceplates (80mm and 30mm) before cutting/drilling finished wall surface to ensure wall openings do not exceed size of faceplates.

- The red (or H) marked port is for the hot supply line which is to the left side.
- Inline filters are recommended, particularly on the cold water supply line, to ensure cartridge longevity.
Failure to install an inline filter may void the warranty.
- Any water seepage ex-the cartridge cavity opening can be stopped by re-tightening the large brass retaining nut.
- Turn on mains supply. Check for leaks.

Plumbers Note: Do not pressure test this mixer under static pressure.



1:1 SCALE INSTALLATION TEMPLATE



ATTACH PROOF OF PURCHASE HERE

Ø30mm Faceplate
Ø21mm Diverter Shroud (removable)
Max. Ø22mm Hole in Finished Wall

Ø80mm Faceplate
Ø48mm Shower Mixer Body
Max. Ø50mm Hole in Finished Wall

Setback Distance from Mounting Stud
to front of finished wall lining
Max 70mm
Min 60mm

WARRANTY

PLEASE CALL US BEFORE REMOVING OR UNDERTAKING ANY REPAIR WORK.

Please refer to our website for warranty information: www.vodaplumbingware.co.nz/warranty

In the unlikely event that this product fails during its warranty period, phone our Customer Service team immediately on 0508 367 366 – as unauthorised removal of the product may void the warranty.

CARE AND MAINTENANCE

SHOULD NOT BE CLEANED WITH ACIDIC, CAUSTIC/ALKALINE, ABRASIVE OR CITRIC CLEANERS.

A soft, damp cloth is recommended for cleaning (Not a Micro fibre cloth). Mild soap solutions can also be used on occasion. See website for full care instructions: www.vodaplumbingware.co.nz/tapware-care-instructions/

PROUD PARTNER AND SUPPORTER OF MASTER PLUMBERS, GASFITTERS AND DRAINLAYERS

